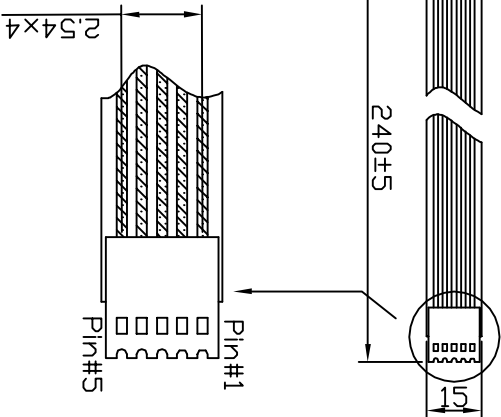


NOTE:
ALL DIMENSIONS ARE IN MILLIMETERS

P/N	Film Type	Glass Thickness	Finished Part Thickness
5W216WG	Clear	2.8	3.2±0.2
5W216WN	Anti-Glare		

Pin#	Assignment
1	H
2	X
3	S
4	Y
5	L



益震科技股份有限公司 Onetouch Technologies Co., Ltd.	
DATE:	2009.11.5
P/N:	5W216W-G 5W216W-N
MODEL:	5W216W
DRAWER:	Candy APPROVAL: DAVID